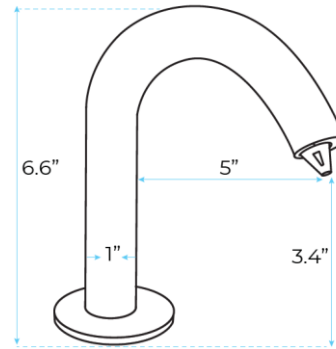
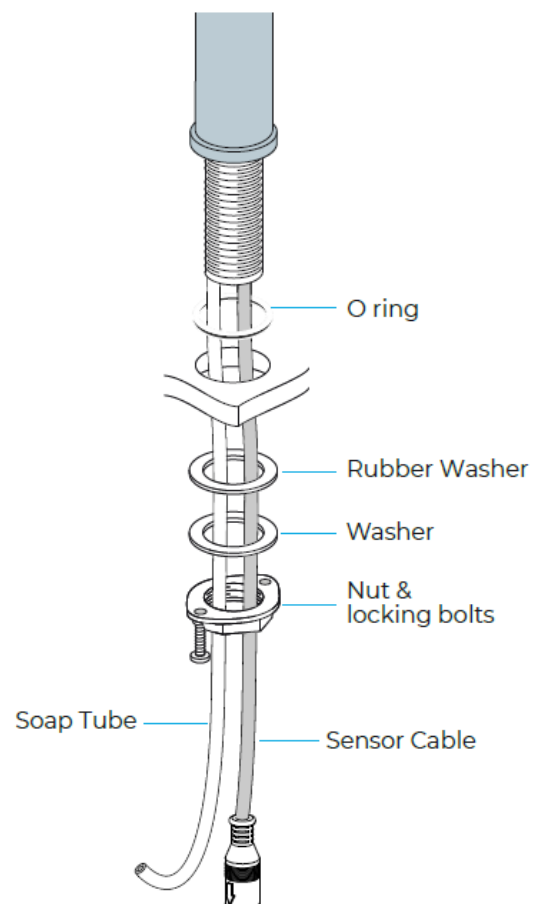


WELLA GOOSE NECK BRUSHED GOLD FINISH COMMERCIAL AUTOMATIC SOAP DISPENSER SPECS



Specs:

- Product Type: Commercial
- Main Construction Material: Brass
- Mount Type: Deck
- Handle Type: Infra-Red
- Power Rating: 3 Amp Fuse, AC: 230V
DC: 1.5V
- Batteries Required: 4 AA Batteries
(not supplied)
- Number of Tap Holes: 1
- Valve/Cartridge Type: Solenoid
Valve
- Plumbing System Requirements:
Suitable for all plumbing systems
- Sensing Range: 2.4-3.9 in (6-10 cm)
- Activation Time: 0.5 - 1 secs
- Viscosity of Liquid Soap: 100-3500cp
(mpA .s)
- Isolation Included: No



[Visit Product Page](#)